



**PIAZZA COUNTERTOP SINK**

- Self-rimming countertop sink
- Vitreous china construction
- Supplied with cutout template
- Large faucet deck and generous bowl
- Front overflow

- 0478.403** faucet holes on 4" (203mm) centers
- 0478.803** faucet holes on 8" (102mm) centers (illustrated)
- 0478.001** center hole only

**Nominal Dimensions:**

23-1/2" x 18-3/8" (597 x 467mm)

**Bowl sizes:**

18-1/2" (470mm) wide,  
11-3/4" (299mm) front to back,  
6-1/2" (165mm) deep

**Compliance Certifications -**

**Meets or Exceeds the Following Specifications:**

- ASME A112.19.2M for Vitreous China Fixtures
- CAN/CSA B45 series



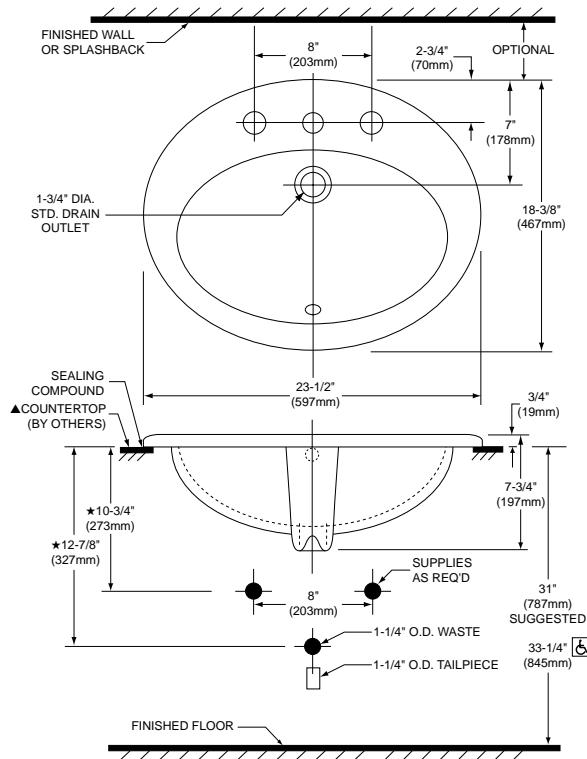
**MEETS THE AMERICAN DISABILITIES ACT GUIDELINES AND ANSI A117.1 ACCESSIBLE AND USEABLE BUILDINGS AND FACILITIES - CHECK LOCAL CODES.**

Install lavatory 864mm (34") from finished floor.  
Lavatory installed 51mm (2") minimum from front edge of countertop

**To Be Specified**

- Color:
- Faucet\*:
- Faucet Finish:
- Supplies:
- 1-1/4" Trap:

\* See faucet section for additional models available



**NOTES:**

\* DIMENSIONS SHOWN FOR LOCATION OF SUPPLIES AND "P" TRAP ARE SUGGESTED.

▲ FOR COUNTERTOP CUTOUT USE TEMPLATE SUPPLIED WITH SINK.

FITTINGS NOT INCLUDED AND MUST BE ORDERED SEPARATELY. UNDERCOUNTER MOUNTING KIT AND INSTALLATION INSTRUCTIONS SUPPLIED WITH SINK.

**IMPORTANT:** Dimensions of fixtures are nominal and may vary within the range of tolerances established by ANSI Standard A112.19.2. These measurements are subject to change or cancellation. No responsibility is assumed for use of superseded or voided pages.